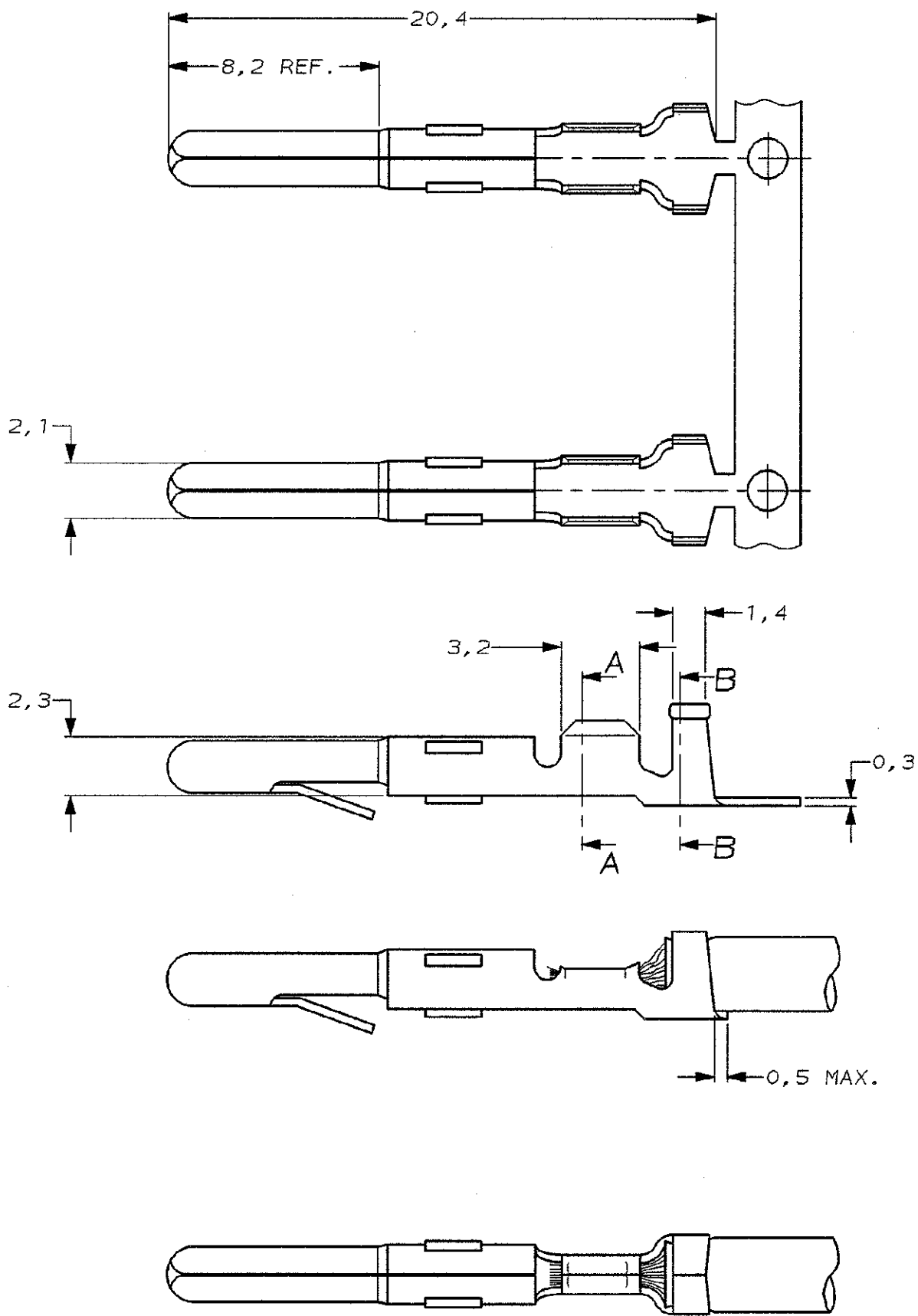
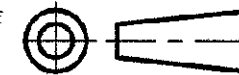


DO NOT SCALE

DIMENSIONS IN mm

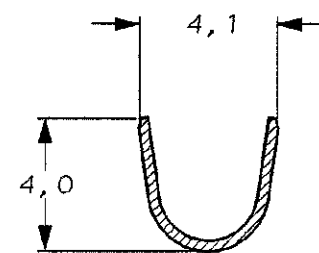
METRIC

THIRD ANGLE
PROJECTION

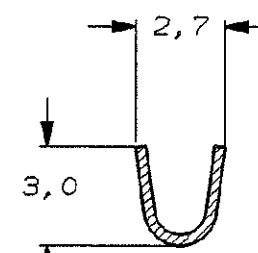


NOTES:

- ① FOR USE ON STANDARD APPLICATORS. (RIGHT-LEFT FEED)
- ② FOR USE ON MINIATURE APPLICATORS. (LEFT-RIGHT FEED)
- ③ FOR USE ON MINIATURE APPLICATORS,
AMP O-MATOR APPLICATION. (LEFT-RIGHT FEED)



SECTION B-B



SECTION A-A

WIRE RANGE :
0,5-1,0mm² AWG
INSULATION RANGE :
1,8-3,3mm DIA.

PLATING	PLATING	MATERIAL	PARTNUMBER
	SEL. GOLD	-	8-163301-3
		BRASS	1-163301-7
	NICKEL	BRASS	1-163301-2
	NICKEL	BRASS	1-163301-1
	PRE-TINPLATED	PHOSPHOR BR.	163301-8
	UNPLATED	PHOSPHOR BR.	163301-7
	PRE-TINPLATED	BRASS	163301-6
	UNPLATED	BRASS	163301-5
	PRE-TINPLATED	PHOSPHOR BR.	163301-4
	UNPLATED	PHOSPHOR BR.	163301-3
	PRE-TINPLATED	BRASS	163301-2
	UNPLATED	BRASS	163301-1

CUSTOMER DRAWING				FOR REFERENCE ONLY WILL NOT BE UPDATED	
© COPYRIGHT 19- BY AMP HOLLAND B.V. ALL INTERNATIONAL RIGHTS RESERVED. AMP PRODUCTS MAY BE COVERED BY U.S. AND FOREIGN AND/OR PATENTS PENDING. THIS DRAWING IS UNPUBLISHED RELEASED FOR PUBLICATION					
AMP			AMP HOLLAND B.V. 's-Hertogenbosch, The Netherlands.		
K	EH-1221-96	JvL	AB	24-10-96	NAME
J	H-9701	JvdH	AB	13-04-92	PIN MATE-N-LOK.
LTR.	REVISION RECORD	DR.	CHK.	DATE	

DR. : J.V.D.HEIJDEN.	CHK. : A.BIJNEN.	APP. : L.V.SOEST.	DWG. No.	REV. LTR.	SHEET
DATE: 10-04-92	DATE: -	DATE: -	C-163301	K	1 OF 1